

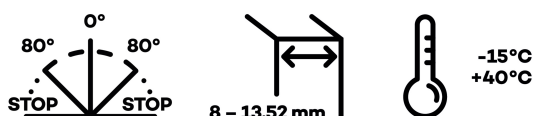
BL 8010

with central fixing (wall-glass) for double action residential and heavy-duty glass doors



Product features

- hydraulic hinge
- for use with wall-glass combinations
- with closing speed adjustment
- stop at + 90° and - 90°
- automatic closing from + 80° and - 80°
- can also be used for single action doors



Technical data

Property	Value
Load capacity	100,0 kg
Overall length	108,0 mm
Overall width	79,5 mm
Overall depth	29,0 mm
Opening angle	+/- 90°
Hold open	+ 90°, - 90°
Automatic closing	+ 80°, - 80°

Quality marks



TÜV certification

Classification code

3 8 2/5¹ 0 1 4

¹ The front digit indicates the torques achieved and the efficiency, the rear digit indicates the maximum door weight in accordance with EN 1154:2006. All other technical characteristics are specified in the technical data sheets.

BILOBA - BL 8010

Glass thickness	8 - 13,52 mm
Temperature resistance	- 15,0°C to + 40,0°C
Max. door width	1000,0 mm

Notes

Violent opening further than 95° could unhinge the door. We suggest to install a door stop.

For doors with width less than 500 mm use item BL 8010 + BL 8010 SOL.

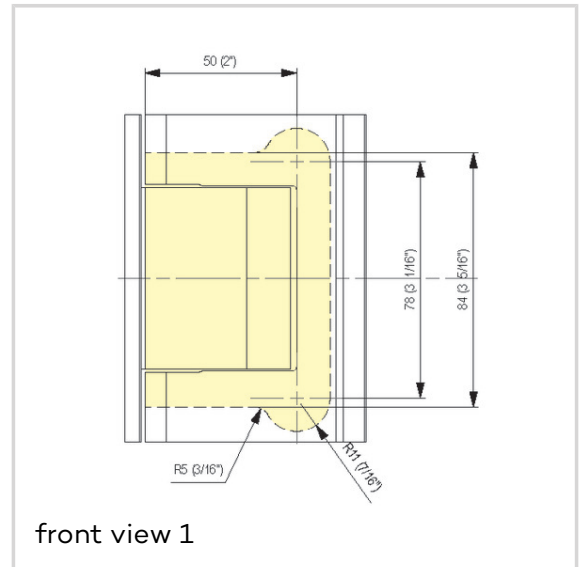
Covers in matt stainless steel and polished stainless steel available on request.

Combinations

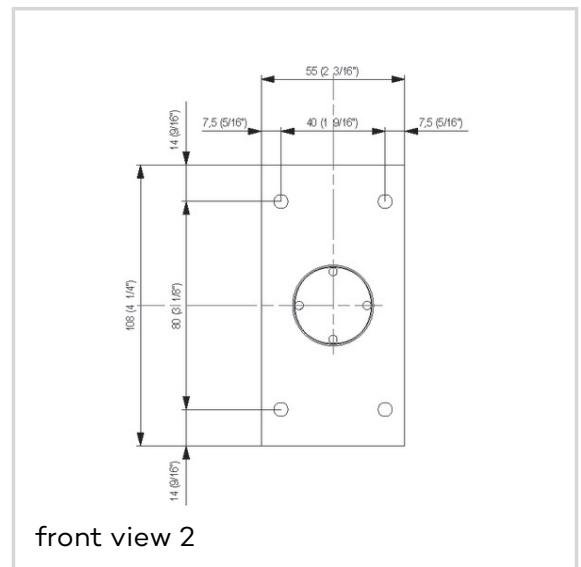
BL 8010 SF
BL 8010 SOL

Item versions

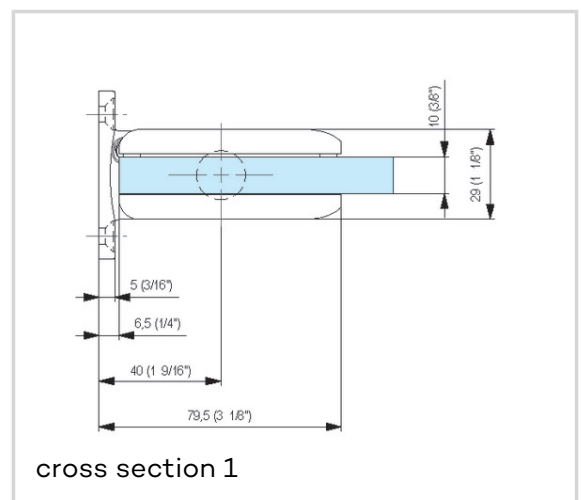
Finish	EV1 satin silver natural, anodized 20 micron (CO 002)
VPE	pack of 1
DIN	DIN right and left hand
Article number	801002
EAN	8056895006681
Finish	satin black, anodized (CO 005)
VPE	pack of 1
DIN	DIN right and left hand
Article number	801005
EAN	8056895006698
Finish	similar satin stainless steel, PVD coated (CO 013)
VPE	pack of 1
DIN	DIN right and left hand



front view 1



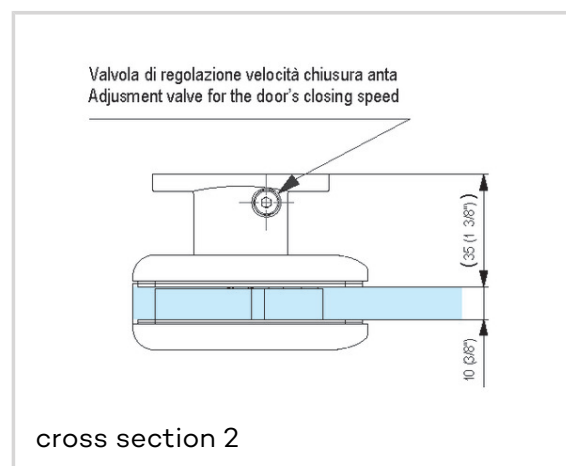
front view 2



cross section 1

BILOBA - BL 8010

Article number	801013
EAN	8056895006711
Finish	polished chromed (CO 014)
VPE	pack of 1
DIN	DIN right and left hand
Article number	801014
EAN	8056895006728
Finish	matt gray, liquid electrostatic coated (CO 015)
VPE	pack of 1
DIN	DIN right and left hand
Article number	801015
EAN	8056895006735
Finish	similar polished gold, PVD coated (CO 016)
VPE	pack of 1
DIN	DIN right and left hand
Article number	801016
EAN	8056895006759
Finish	similar matt gold, coated (CO 017)
VPE	pack of 1
DIN	DIN right and left hand
Article number	801017
EAN	8056895006766
Finish	RAL 9005 jet black matt, liquid electrostatic coated (CO 062)
VPE	pack of 1
DIN	DIN right and left hand
Article number	801062
EAN	8056895006803
Finish	RAL 9010 pure white matt, liquid electrostatic coated (CO 088)
VPE	pack of 1
DIN	DIN right and left hand



BILOBA - BL 8010

Article number	801088
EAN	8056895006810
Finish	RAL 9016 traffic white matt, liquid electrostatic coated (CO 095)
VPE	pack of 1
DIN	DIN right and left hand
Article number	801095
EAN	8056895006827