

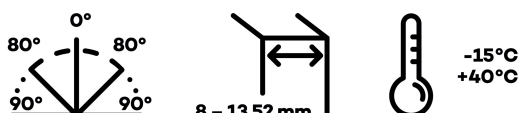
BL 8010 SF

with central fixing (wall-glass) for double action residential and heavy-duty glass doors without stop



Product features

- hydraulic hinge
- for use with wall-glass combinations
- with closing speed adjustment
- automatic closing from + 80° and - 80°
- can also be used for single action doors



Technical data

Property	Value
Load capacity	100,0 kg
Overall length	108,0 mm
Overall width	79,5 mm
Overall depth	29,0 mm
Opening angle	+/- 90°
Automatic closing	+ 80°, - 80°
Glass thickness	8 - 13,52 mm
Temperature resistance	- 15,0°C to + 40,0°C

Quality marks



TÜV certification

Classification code

3 8 2/5¹ 0 1 4

¹ The front digit indicates the torques achieved and the efficiency, the rear digit indicates the maximum door weight in accordance with EN 1154:2006. All other technical characteristics are specified in the technical data sheets.

BILOBA - BL 8010 SF

Max. door width	1000,0 mm
-----------------	-----------

Notes

Violent opening further than 95° could unhinge the door. We suggest to install a door stop.

Covers in matt stainless steel and polished stainless steel available on request.

Combinations

BL 8010

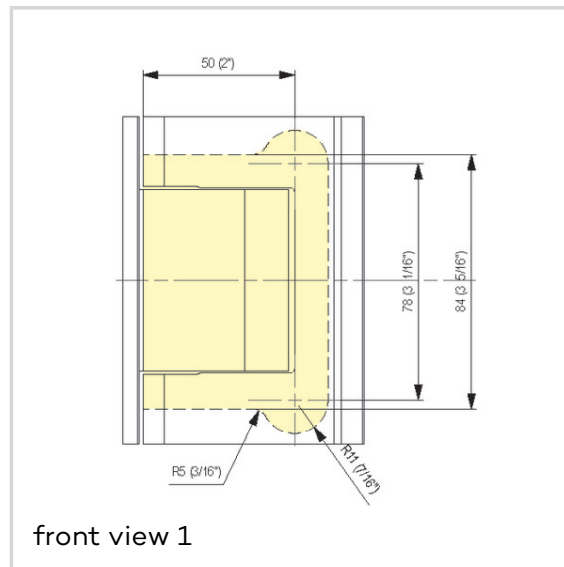
Item versions

Finish	EV1 satin silver natural, anodized 20 micron (CO 002)
VPE	pack of 1
DIN	DIN right and left hand
Article number	8010SF02
EAN	8056895007015

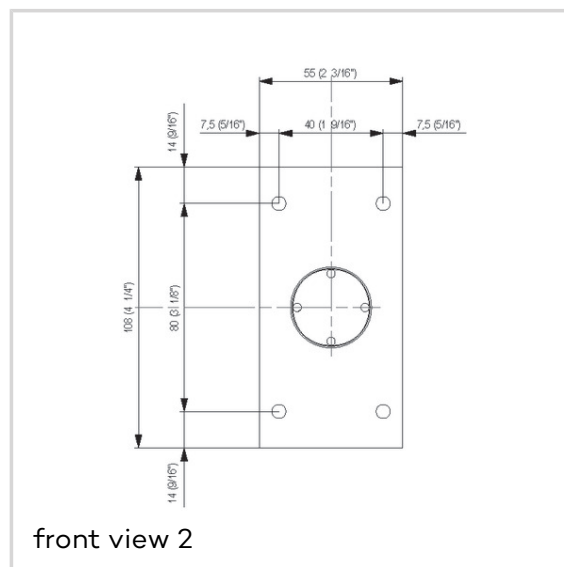
Finish	satin black, anodized (CO 005)
VPE	pack of 1
DIN	DIN right and left hand
Article number	8010SF05
EAN	8056895007022

Finish	similar satin stainless steel, PVD coated (CO 013)
VPE	pack of 1
DIN	DIN right and left hand
Article number	8010SF13
EAN	8056895007039

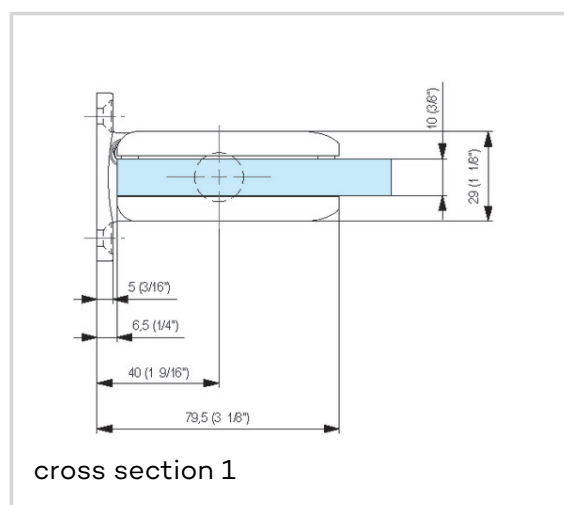
Finish	polished chromed (CO 014)
VPE	pack of 1



front view 1



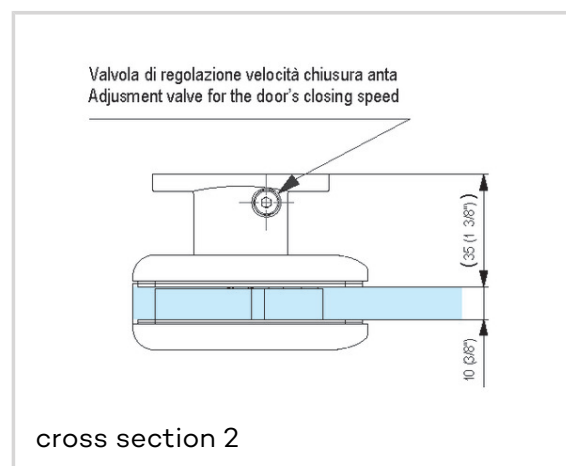
front view 2



cross section 1

BILOBA - BL 8010 SF

DIN	DIN right and left hand
Article number	8010SF14
EAN	8056895007046
Finish	matt gray, liquid electrostatic coated (CO 015)
VPE	pack of 1
DIN	DIN right and left hand
Article number	8010SF15
EAN	8056895007053
Finish	similar polished gold, PVD coated (CO 016)
VPE	pack of 2
DIN	DIN right and left hand
Article number	8010SF16
EAN	8056895007060
Finish	similar matt gold, coated (CO 017)
VPE	pack of 2
DIN	DIN right and left hand
Article number	8010SF17
EAN	8056895007077
Finish	RAL 9005 jet black matt, liquid electrostatic coated (CO 062)
VPE	pack of 1
DIN	DIN right and left hand
Article number	8010SF62
EAN	8056895007091
Finish	RAL 9010 pure white matt, liquid electrostatic coated (CO 088)
VPE	pack of 1
DIN	DIN right and left hand
Article number	8010SF88
Finish	RAL 9016 traffic white matt, liquid electrostatic coated (CO 095)



BILOBA - BL 8010 SF

VPE	pack of 1
DIN	DIN right and left hand
Article number	8010SF95