

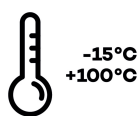
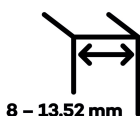
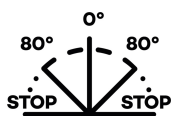
BL 8010 BT JC

with central fixing (wall-glass) for double action residential, heavy-duty and shower glass doors with zero point adjustability



Product features

- hydraulic hinge
- for use with wall-glass combinations
- with closing speed adjustment
- with zero point adjustment
- inner body anodized with special deep oxidation (20 micron)
- stop at + 90° and - 90°
- automatic closing from + 80° and - 80°
- version without covers



Technical data

Property	Value
Load capacity	100,0 kg
Overall length	108,0 mm
Overall width	79,5 mm
Overall depth	29,0 mm
Opening angle	+/- 90°

Quality marks



TÜV certification

Classification code

3 8 2/5¹ 0 1 4

¹ The front digit indicates the torques achieved and the efficiency, the rear digit indicates the maximum door weight in accordance with EN 1154:2006. All other technical characteristics are specified in the technical data sheets.

BILOBA - BL 8010 BT JC

Hold open	+ 90°, - 90°
Automatic closing	+ 80°, - 80°
Glass thickness	8 - 13,52 mm
Temperature resistance	- 15,0°C to + 100,0°C
Max. door width	1000,0 mm

Notes

Violent opening further than 95° could unhinge the door. We suggest to install a door stop.

No Anti-Wind brake.

For doors with width less than 500 mm use items BL 8010 BT JC + BL 8010 BT JC SOL.

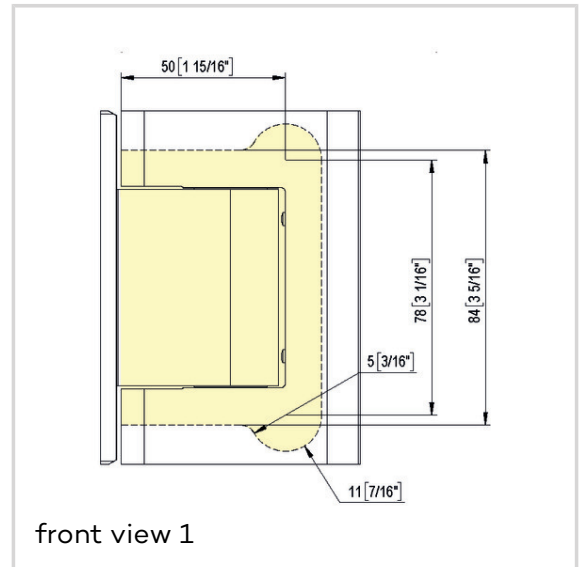
Covers to be ordered separately.

Combinations

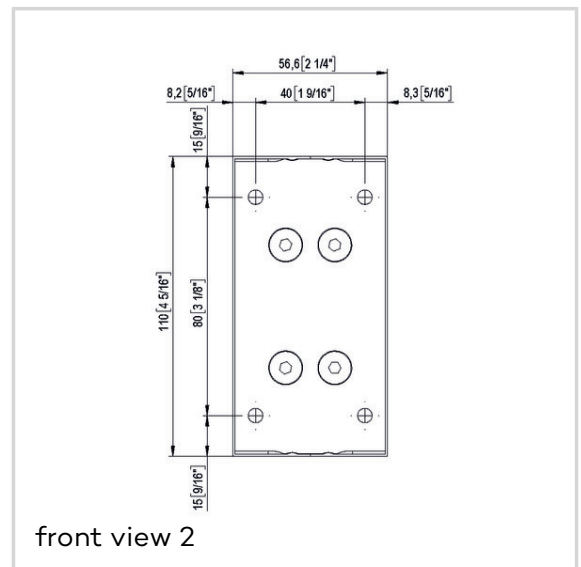
BL 8010 BT JC C

Item versions

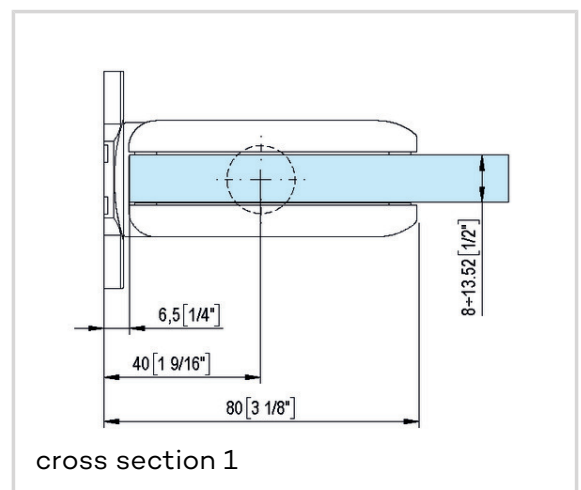
Finish	raw (CO 000)
VPE	pack of 1
DIN	DIN right and left hand
Article number	D8010BTJC
EAN	8056895027587



front view 1



front view 2



cross section 1

