

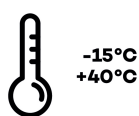
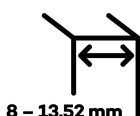
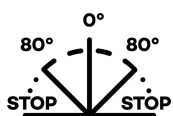
## BL 8011

with offset fixing (wall-glass) for double action residential and heavy-duty glass doors



### Product features

- hydraulic hinge
- for use with wall-glass combinations
- with offset fixing wing
- with closing speed adjustment
- stop at + 90° and - 90°
- automatic closing from + 80° and - 80°
- can also be used for single action doors



### Technical data

Property	Value
Load capacity	100,0 kg
Overall length	108,0 mm
Overall width	79,5 mm
Overall depth	29,0 mm
Opening angle	+/- 90°
Hold open	+ 90°, - 90°
Automatic closing	+ 80°, - 80°

### Quality marks



TÜV certification

### Classification code

3 8 2/5<sup>1</sup> 0 1 4

<sup>1</sup> The front digit indicates the torques achieved and the efficiency, the rear digit indicates the maximum door weight in accordance with EN 1154:2006. All other technical characteristics are specified in the technical data sheets.

**BILOBA - BL 8011**

Glass thickness	8 - 13,52 mm
Temperature resistance	- 15,0°C to + 40,0°C
Max. door width	1000,0 mm

**Notes**

Violent opening further than 95° could unhinge the door. We suggest to install a door stop.

For doors with width less than 500 mm use items BL 8011 + BL 8011 SOL.

**Combinations**

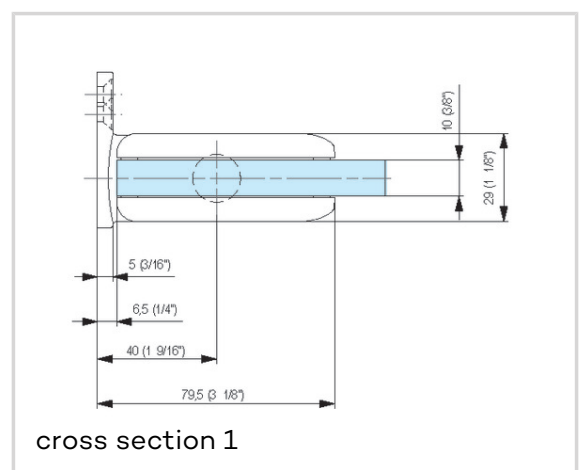
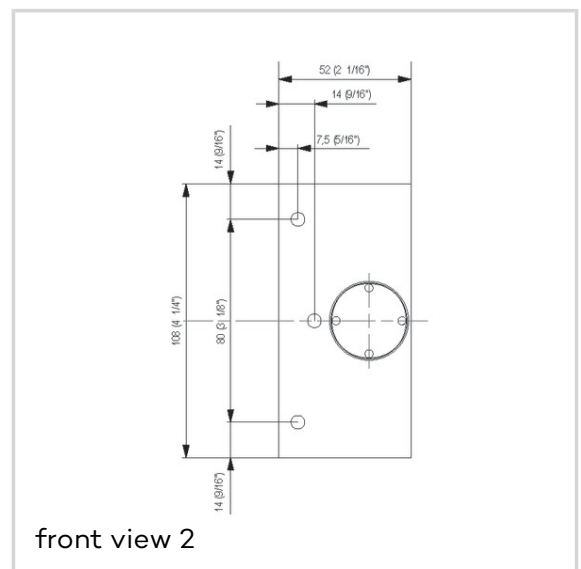
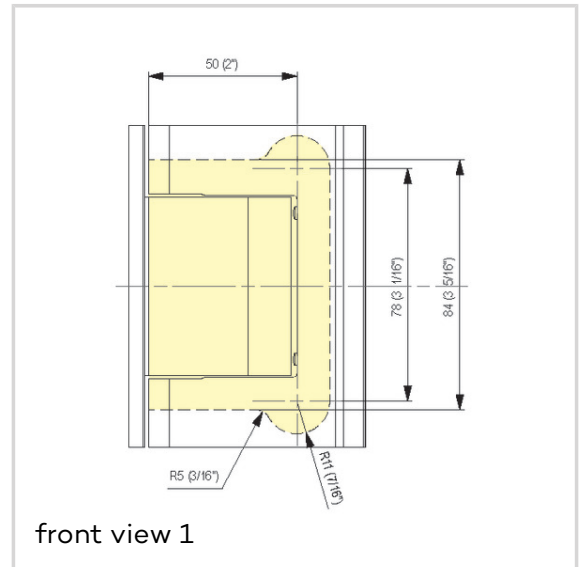
BL 8011 SF  
BL 8011 SOL

**Item versions**

Finish	EV1 satin silver natural, anodized 20 micron (CO 002)
VPE	pack of 1
DIN	DIN right and left hand
Article number	801102
EAN	8056895007299

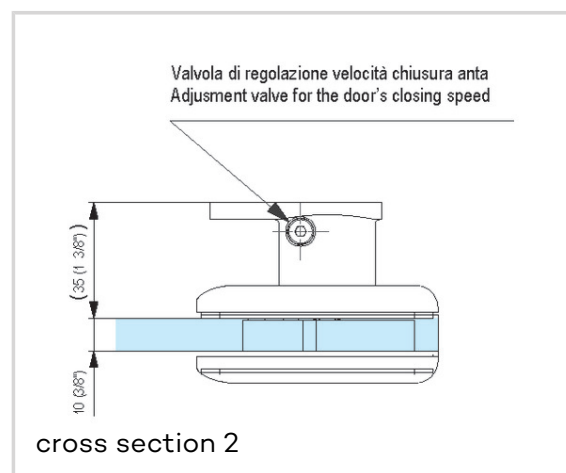
Finish	satin black, anodized (CO 005)
VPE	pack of 1
DIN	DIN right and left hand
Article number	801105
EAN	8056895007305

Finish	similar satin stainless steel, PVD coated (CO 013)
VPE	pack of 1
DIN	DIN right and left hand
Article number	801113
EAN	8056895007329



## BILOBA - BL 8011

Finish	polished chromed (CO 014)
VPE	pack of 1
DIN	DIN right and left hand
Article number	801114
EAN	8056895007336
Finish	matt gray, liquid electrostatic coated (CO 015)
VPE	pack of 1
DIN	DIN right and left hand
Article number	801115
EAN	8056895007343
Finish	similar polished gold, PVD coated (CO 016)
VPE	pack of 1
DIN	DIN right and left hand
Article number	801116
EAN	8056895007367
Finish	similar matt gold, coated (CO 017)
VPE	pack of 1
DIN	DIN right and left hand
Article number	801117
EAN	8056895007374
Finish	RAL 9005 jet black matt, liquid electrostatic coated (CO 062)
VPE	pack of 1
DIN	DIN right and left hand
Article number	801162
EAN	8056895007404
Finish	RAL 9010 pure white matt, liquid electrostatic coated (CO 088)
VPE	pack of 1
DIN	DIN right and left hand
Article number	801188
EAN	8056895007428



**BILOBA - BL 8011**

---

Finish	RAL 9016 traffic white matt, liquid electrostatic coated (CO 095)
VPE	pack of 1
DIN	DIN right and left hand
Article number	801195