

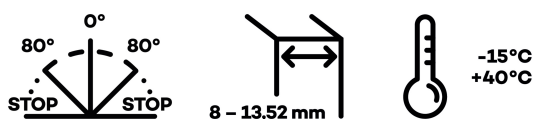
BL 8911

with offset fixing (wall-glass) for double action residential and heavy-duty glass doors



Product features

- hydraulic hinge
- with offset fixing wing
- for use with wall-glass combinations
- with closing speed adjustment
- with zero point adjustment
- stop at + 90° and - 90°
- automatic closing from + 80° and - 80°
- can also be used for single action doors



Technical data

Property	Value
Load capacity	100,0 kg
Opening angle	+/- 90°
Hold open	+ 90°, - 90°
Automatic closing	+ 80°, - 80°
Glass thickness	8 - 13,52 mm
Temperature resistance	- 15,0°C to + 40,0°C

Quality marks



TÜV certification

Classification code

3 8 2/5¹ 0 1 4

¹ The front digit indicates the torques achieved and the efficiency, the rear digit indicates the maximum door weight in accordance with EN 1154:2006. All other technical characteristics are specified in the technical data sheets.

BILOBA - BL 8911

Max. door width	1000,0 mm
-----------------	-----------

Notes

Violent opening further than 95° could unhinge the door. We suggest to install a door stop.

Item versions

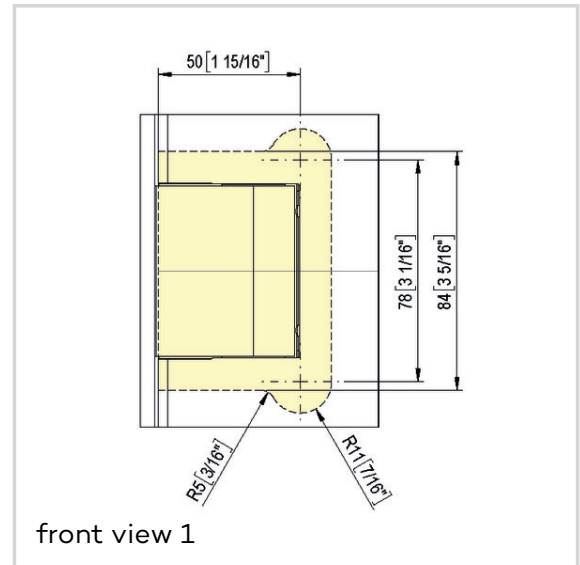
Finish	satin black, anodized (CO 005)
VPE	pack of 1
DIN	DIN right and left hand
Article number	891105
EAN	8056895016765

Finish	similar satin stainless steel, PVD coated (CO 013)
VPE	pack of 1
DIN	DIN right and left hand
Article number	891113
EAN	8056895016772

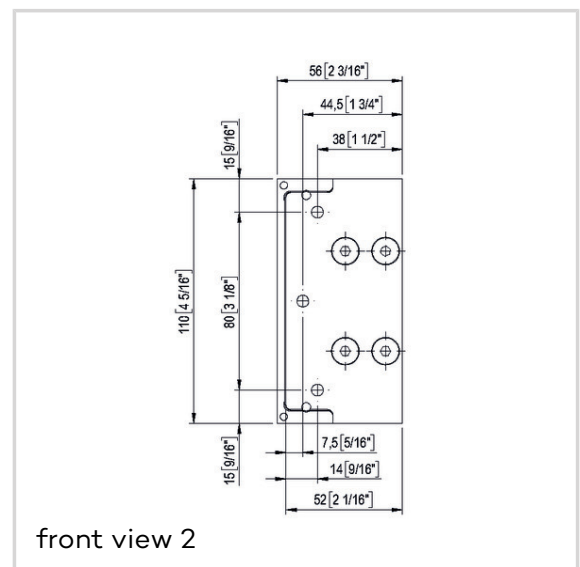
Finish	RAL 9005 jet black matt, liquid electrostatic coated (CO 062)
VPE	pack of 1
DIN	DIN right and left hand
Article number	891162
EAN	8056895016796

Finish	RAL 9010 pure white matt, liquid electrostatic coated (CO 088)
VPE	pack of 1
DIN	DIN right and left hand
Article number	891188

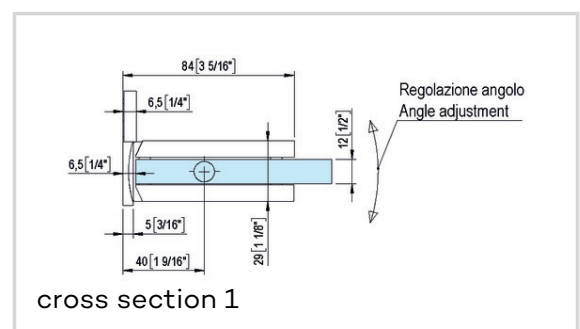
Finish	RAL 9016 traffic white matt, liquid
--------	-------------------------------------



front view 1



front view 2



cross section 1

BILOBA - BL 8911

VPE	electrostatic coated (CO 095)
DIN	pack of 1
Article number	DIN right and left hand 891195

