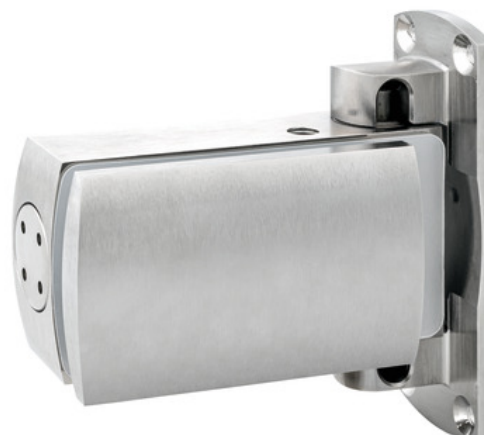


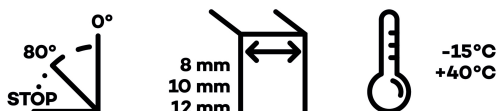
BL 8060

with offset fixing (wall-glass) for single action residential and heavy-duty glass doors



Product features

- hydraulic hinge
- for use with wall-glass combinations
- with offset fixing wing
- with closing speed adjustment
- stop at + 90°
- automatic closing from + 80°



Technical data

| Property | Value |
|-------------------|----------|
| Load capacity | 100,0 kg |
| Overall length | 110,0 mm |
| Overall width | 112,0 mm |
| Overall depth | 51,5 mm |
| Opening angle | 90° |
| Hold open | + 90° |
| Automatic closing | + 80° |

Quality marks

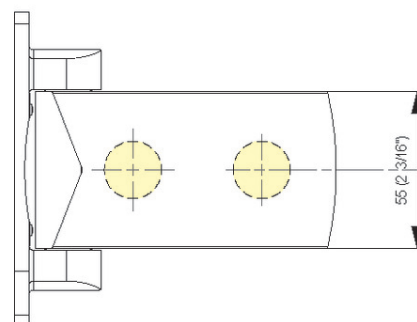


TÜV certification

Classification code

3 8 2/5¹ 0 1 4

¹ The front digit indicates the torques achieved and the efficiency, the rear digit indicates the maximum door weight in accordance with EN 1154:2006. All other technical characteristics are specified in the technical data sheets.



front view 1

BILOBA - BL 8060

| | |
|------------------------|----------------------|
| Glass thickness | 8 mm, 10 mm, 12 mm |
| Temperature resistance | - 15,0°C to + 40,0°C |
| Max. door width | 1000,0 mm |

Notes

Violent opening further than 95° could unhinge the door. We suggest to install a door stop.

For doors with width less than 500 mm use items BL 8060 + BL 8060 SOL.

In case of gaskets usage, consider its overall dimension.

Combinations

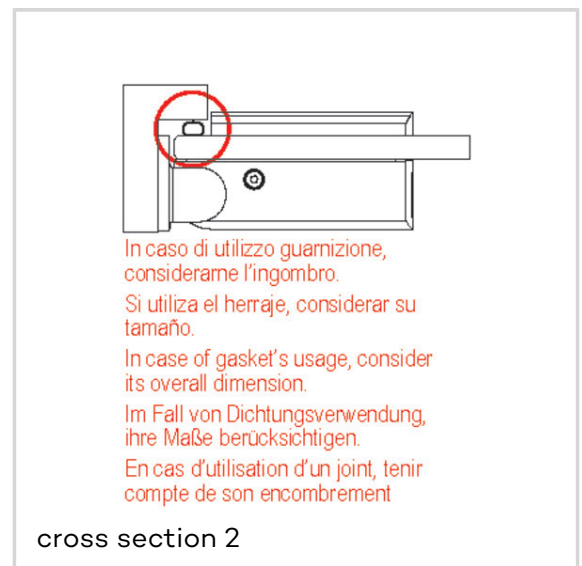
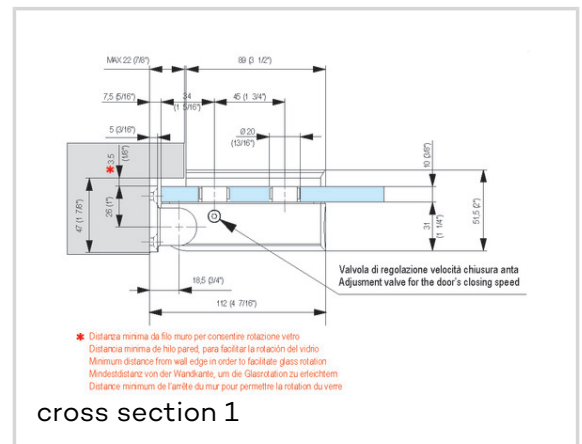
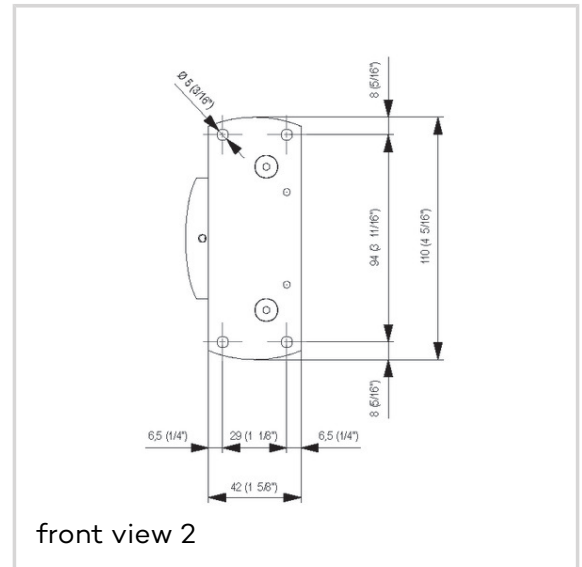
BL 8060 SF
BL 8060 SOL

Item versions

| | |
|----------------|---|
| Finish | EV1 satin silver natural, anodized 20 micron (CO 002) |
| VPE | pack of 1 |
| DIN | DIN right and left hand |
| Article number | 806002 |
| EAN | 8056895008173 |

| | |
|----------------|--------------------------------|
| Finish | satin black, anodized (CO 005) |
| VPE | pack of 1 |
| DIN | DIN right and left hand |
| Article number | 806005 |
| EAN | 8056895008180 |

| | |
|--------|--|
| Finish | similar satin stainless steel, PVD coated (CO 013) |
| VPE | pack of 1 |
| DIN | DIN right and left hand |



BILOBA - BL 8060

| | |
|----------------|--|
| Article number | 806013 |
| EAN | 8056895008227 |
| Finish | polished chromed (CO 014) |
| VPE | pack of 1 |
| DIN | DIN right and left hand |
| Article number | 806014 |
| EAN | 8056895008234 |
| Finish | matt gray, liquid electrostatic coated (CO 015) |
| VPE | pack of 1 |
| DIN | DIN right and left hand |
| Article number | 806015 |
| EAN | 8056895008241 |
| Finish | similar polished gold, PVD coated (CO 016) |
| VPE | pack of 1 |
| DIN | DIN right and left hand |
| Article number | 806016 |
| EAN | 8056895008265 |
| Finish | similar matt gold, coated (CO 017) |
| VPE | pack of 1 |
| DIN | DIN right and left hand |
| Article number | 806017 |
| Finish | RAL 9005 jet black matt, liquid electrostatic coated (CO 062) |
| VPE | pack of 1 |
| DIN | DIN right and left hand |
| Article number | 806062 |
| EAN | 8056895008319 |
| Finish | RAL 9010 pure white matt, liquid electrostatic coated (CO 088) |
| VPE | pack of 1 |
| DIN | DIN right and left hand |
| Article number | 806088 |

BILOBA - BL 8060

| | |
|----------------|--|
| EAN | 8056895008425 |
| Finish | RAL 9016 traffic white matt, liquid electrostatic coated (CO 095) |
| VPE | pack of 1 |
| DIN | DIN right and left hand |
| Article number | 806095 |
| EAN | 8056895008432 |