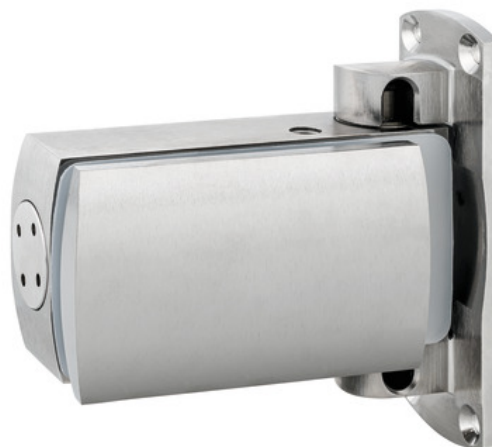


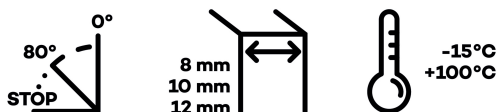
BL 8060 BT

with offset fixing (wall-glass) for single action shower glass doors



Product features

- hydraulic hinge
- for use with wall-glass combinations
- with offset fixing wing
- with closing speed adjustment
- for applications in damp environments and high temperature
- o-rings of the hydraulic circuit are made of Viton
- pivot is made of stainless steel AISI 420
- stop at + 90°
- automatic closing from + 80°



Technical data

Property	Value
Load capacity	100,0 kg
Overall length	110,0 mm
Overall width	112,0 mm
Overall depth	51,5 mm

Quality marks

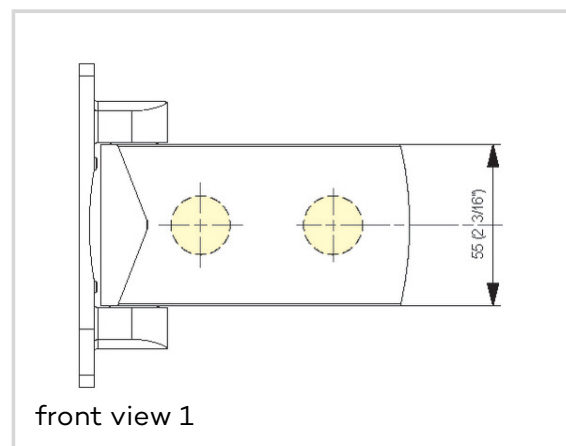


TÜV certification

Classification code

3 8 2/5¹ 0 1 4

¹ The front digit indicates the torques achieved and the efficiency, the rear digit indicates the maximum door weight in accordance with EN 1154:2006. All other technical characteristics are specified in the technical data sheets.



BILOBA - BL 8060 BT

Opening angle	90°
Hold open	+ 90°
Automatic closing	+ 80°
Glass thickness	8 mm, 10 mm, 12 mm
Temperature resistance	- 15,0°C to + 100,0°C
Max. door width	1000,0 mm

Notes

Violent opening further than 95° could unhinge the door. We suggest to install a door stop.

The recommended and guaranteed finish for applications in shower enclosures, saunas and Turkish baths is CO 002 (Deep Oxidation 20 micron).

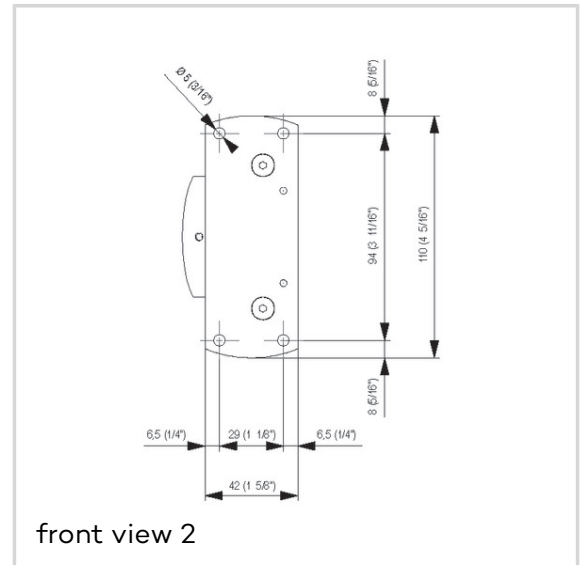
In case of gaskets usage, consider its overall dimension.

Item versions

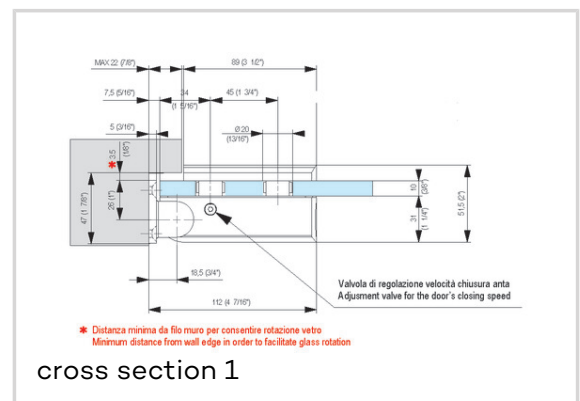
Finish	EV1 satin silver natural, anodized 20 micron (CO 002)
VPE	pack of 1
DIN	DIN right and left hand
Article number	8060BT02
EAN	8056895008517

Finish	satin black, anodized (CO 005)
VPE	pack of 1
DIN	DIN right and left hand
Article number	8060BT05
EAN	8056895008449

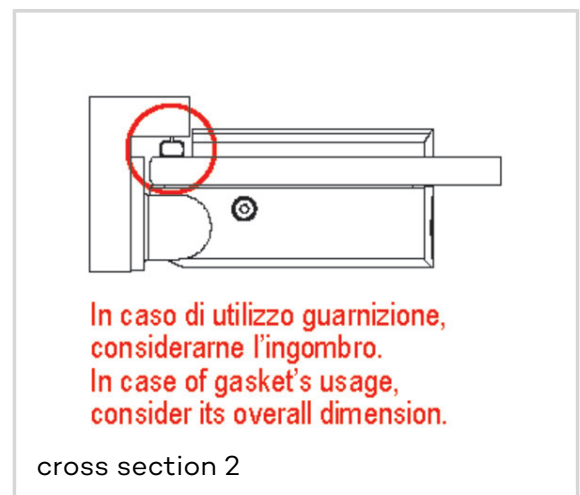
Finish	similar satin stainless steel, PVD coated (CO 013)
VPE	pack of 1
DIN	DIN right and left hand



front view 2



cross section 1



cross section 2

BILOBA - BL 8060 BT

Article number	8060BT13
EAN	8056895008456
Finish	polished chromed (CO 014)
VPE	pack of 1
DIN	DIN right and left hand
Article number	8060BT14
EAN	8056895008463
Finish	matt gray, liquid electrostatic coated (CO 015)
VPE	pack of 1
DIN	DIN right and left hand
Article number	8060BT15
EAN	8056895008470
Finish	similar polished gold, PVD coated (CO 016)
VPE	pack of 1
DIN	DIN right and left hand
Article number	8060BT16
EAN	8056895008494
Finish	similar matt gold, coated (CO 017)
VPE	pack of 1
DIN	DIN right and left hand
Article number	8060BT17
EAN	8056895008500
Finish	RAL 9005 jet black matt, liquid electrostatic coated (CO 062)
VPE	pack of 1
DIN	DIN right and left hand
Article number	8060BT62
EAN	8056895008524
Finish	RAL 9010 pure white matt, liquid electrostatic coated (CO 088)
VPE	pack of 1
DIN	DIN right and left hand

BILOBA - BL 8060 BT

Article number	8060BT88
Finish	RAL 9016 traffic white matt, liquid electrostatic coated (CO 095)
VPE	pack of 1
DIN	DIN right and left hand
Article number	8060BT95