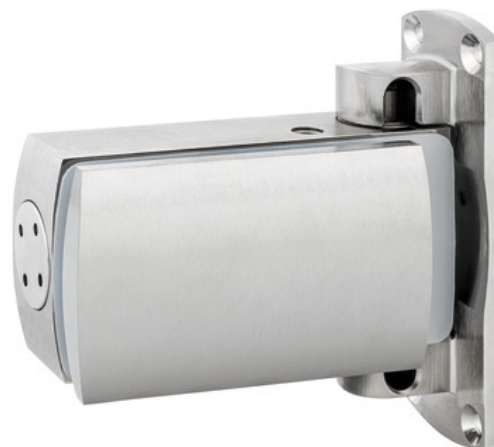


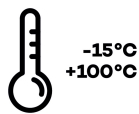
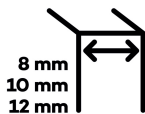
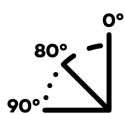
## BL 8060 BT SF

with offset fixing (wall-glass) for single action shower glass doors without stop



### Product features

- hydraulic hinge
- for use with wall-glass combinations
- with offset fixing wing
- with closing speed adjustment
- for applications in damp environments and high temperature
- o-rings of the hydraulic circuit are made of Viton
- pivot is made of stainless steel AISI 420
- automatic closing from + 80°



### Technical data

Property	Value
Load capacity	100,0 kg
Overall length	110,0 mm
Overall width	112,0 mm
Overall depth	51,5 mm
Opening angle	90°

### Quality marks

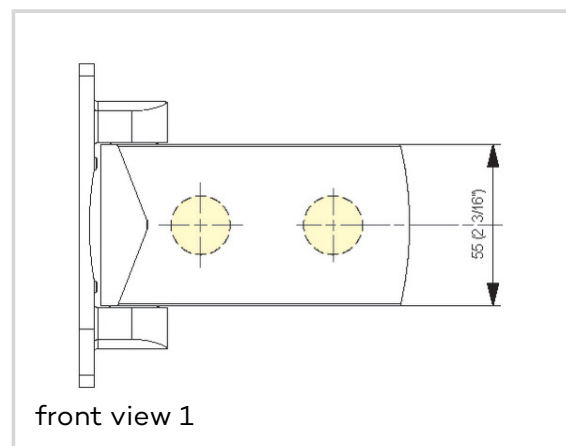


TÜV certification

### Classification code

3 8 2/5<sup>1</sup> 0 1 4

<sup>1</sup> The front digit indicates the torques achieved and the efficiency, the rear digit indicates the maximum door weight in accordance with EN 1154:2006. All other technical characteristics are specified in the technical data sheets.



**BILOBA - BL 8060 BT SF**

Automatic closing	+ 80°
Glass thickness	8 mm, 10 mm, 12 mm
Temperature resistance	- 15,0°C to + 100,0°C
Max. door width	1000,0 mm

**Item versions**

Finish	EV1 satin silver natural, anodized 20 micron (CO 002)
VPE	pack of 1
DIN	DIN right and left hand
Article number	8060BTSF02

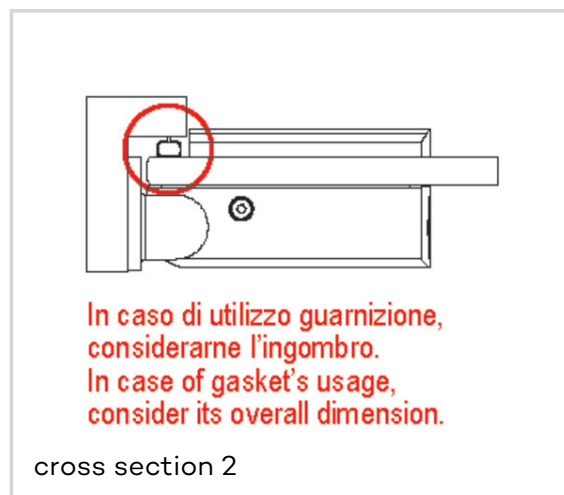
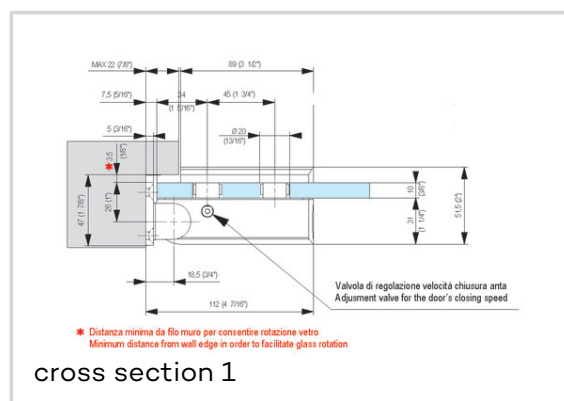
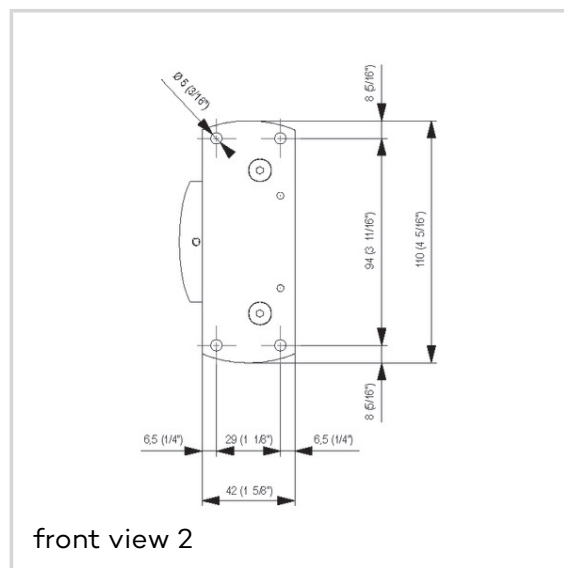
Finish	satin black, anodized (CO 005)
VPE	pack of 1
DIN	DIN right and left hand
Article number	8060BTSF05
EAN	8056895008548

Finish	similar satin stainless steel, PVD coated (CO 013)
VPE	pack of 1
DIN	DIN right and left hand
Article number	8060BTSF13
EAN	8056895008555

Finish	polished chromed (CO 014)
VPE	pack of 1
DIN	DIN right and left hand
Article number	8060BTSF14
EAN	8056895008562

Finish	matt gray, liquid electrostatic coated (CO 015)
VPE	pack of 1
DIN	DIN right and left hand
Article number	8060BTSF15

Finish	similar polished gold,
--------	------------------------



**BILOBA - BL 8060 BT SF**

VPE	PVD coated (CO 016)
DIN	pack of 1
Article number	DIN right and left hand 8060BTSF16
Finish	similar matt gold, coated (CO 017)
VPE	pack of 1
DIN	DIN right and left hand
Article number	8060BTSF17
Finish	RAL 9005 jet black matt, liquid electrostatic coated (CO 062)
VPE	pack of 1
DIN	DIN right and left hand
Article number	8060BTSF62
EAN	8056895008586
Finish	RAL 9010 pure white matt, liquid electrostatic coated (CO 088)
VPE	pack of 1
DIN	DIN right and left hand
Article number	8060BTSF88
Finish	RAL 9016 traffic white matt, liquid electrostatic coated (CO 095)
VPE	pack of 1
DIN	DIN right and left hand
Article number	8060BTSF95