

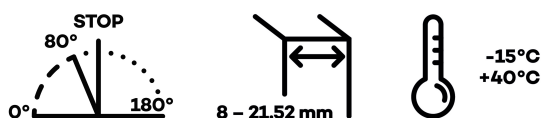
EV 835E10 N

for single action (wall-glass) heavy-duty and outer glass doors



Product features

- hydraulic hinge
- for use with wall-glass combinations
- for single action outer doors that are protected from severe weather conditions
- with closing speed adjustment
- with constant braking control
- door opens up to 180°
- stop at + 90°
- automatic closing from + 80°
- installed on doors with a profil on a stop
- rebate depth from 30 to 50 mm



Technical data

Property	Value
Load capacity	120,0 kg
Rebate depth	30,0 - 50,0 mm
Opening angle	180°

Quality marks



TÜV certification

Classification code

3	8	3/6 ¹	0	1	4
---	---	------------------	---	---	---

¹ The front digit indicates the torques achieved and the efficiency, the rear digit indicates the maximum door weight in accordance with EN 1154:2006. All other technical characteristics are specified in the technical data sheets.

EVO - EV 835E10 N

Hold open	+ 90°
Automatic closing	+ 80°
Glass thickness	8 - 21,52 mm
Temperature resistance	- 15,0°C to + 40,0°C
Min. door width	800,0 mm
Max. door width	1200,0 mm

Notes

The hinge has a loading and therefore a closing stop is necessary.

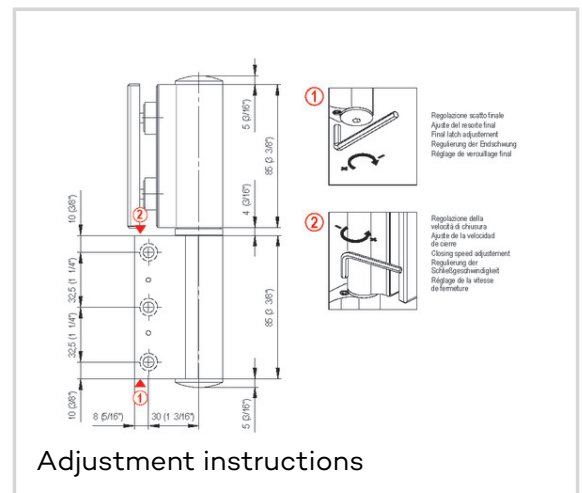
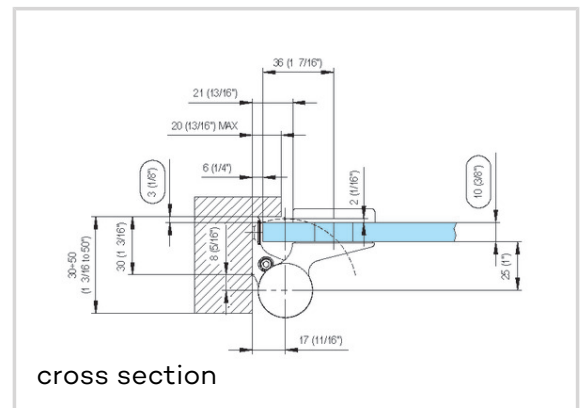
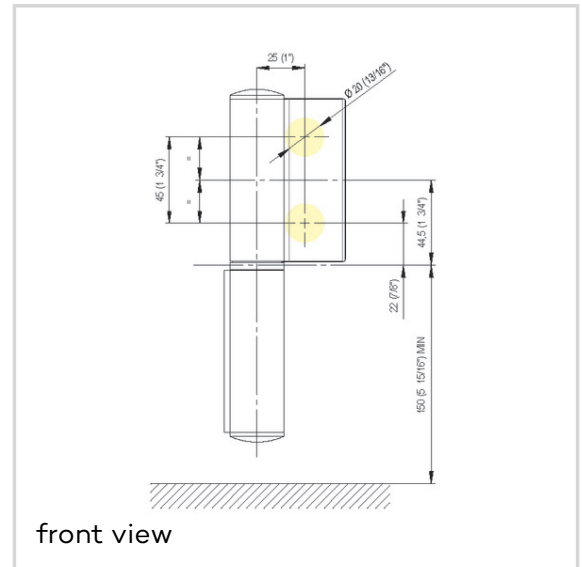
For installations in particular environments or climate (eg. wet, acid, saline) consult sales office first.

Combinations

EV 835E10 N SOL

Item versions

Finish	EV1 satin silver natural, anodized 20 micron (CO 002)
VPE	pack of 1
DIN	DIN left hand
Article number	835E10NL02
EAN	8056895009361
Finish	EV1 satin silver natural, anodized 20 micron (CO 002)
VPE	pack of 1
DIN	DIN right hand
Article number	835E10NR02
EAN	8056895009583
Finish	satin black, anodized (CO 005)
VPE	pack of 1



EVO - EV 835E10 N

DIN	DIN left hand
Article number	835E10NL05
EAN	8056895009378
Finish	satin black, anodized (CO 005)
VPE	pack of 1
DIN	DIN right hand
Article number	835E10NR05
EAN	8056895009590
Finish	similar satin stainless steel, PVD coated (CO 013)
VPE	pack of 1
DIN	DIN left hand
Article number	835E10NL13
EAN	8056895009385
Finish	similar satin stainless steel, PVD coated (CO 013)
VPE	pack of 1
DIN	DIN right hand
Article number	835E10NR13
EAN	8056895009606
Finish	polished chromed (CO 014)
VPE	pack of 1
DIN	DIN left hand
Article number	835E10NL14
EAN	8056895009392
Finish	polished chromed (CO 014)
VPE	pack of 1
DIN	DIN right hand
Article number	835E10NR14
EAN	8056895009613
Finish	matt gray, liquid electrostatic coated (CO 015)
VPE	pack of 1
DIN	DIN left hand

EVO - EV 835E10 N

Article number	835E10NL15
EAN	8056895009408
Finish	matt gray, liquid electrostatic coated (CO 015)
VPE	pack of 1
DIN	DIN right hand
Article number	835E10NR15
EAN	8056895009620
Finish	similar polished gold, PVD coated (CO 016)
VPE	pack of 1
DIN	DIN left hand
Article number	835E10NL16
EAN	8056895009415
Finish	similar polished gold, PVD coated (CO 016)
VPE	pack of 1
DIN	DIN right hand
Article number	835E10NR16
EAN	8056895009644
Finish	similar matt gold, coated (CO 017)
VPE	pack of 1
DIN	DIN left hand
Article number	835E10NL17
EAN	8056895009422
Finish	similar matt gold, coated (CO 017)
VPE	pack of 1
DIN	DIN right hand
Article number	835E10NR17
Finish	RAL 9005 jet black matt, liquid electrostatic coated (CO 062)
VPE	pack of 1
DIN	DIN left hand
Article number	835E10NL62
EAN	8056895009453

EVO - EV 835E10 N

Finish	RAL 9005 jet black matt, liquid electrostatic coated (CO 062)
VPE	pack of 1
DIN	DIN right hand
Article number	835E10NR62
EAN	8056895009699
Finish	RAL 9010 pure white matt, liquid electrostatic coated (CO 088)
VPE	pack of 1
DIN	DIN left hand
Article number	835E10NL88
EAN	8056895009491
Finish	RAL 9010 pure white matt, liquid electrostatic coated (CO 088)
VPE	pack of 1
DIN	DIN right hand
Article number	835E10NR88
EAN	8056895009743
Finish	RAL 9016 traffic white matt, liquid electrostatic coated (CO 095)
VPE	pack of 1
DIN	DIN left hand
Article number	835E10NL95
EAN	8056895009538
Finish	RAL 9016 traffic white matt, liquid electrostatic coated (CO 095)
VPE	pack of 1
DIN	DIN right hand
Article number	835E10NR95
EAN	8056895009774