

EVO - EV 835E10 N SOL

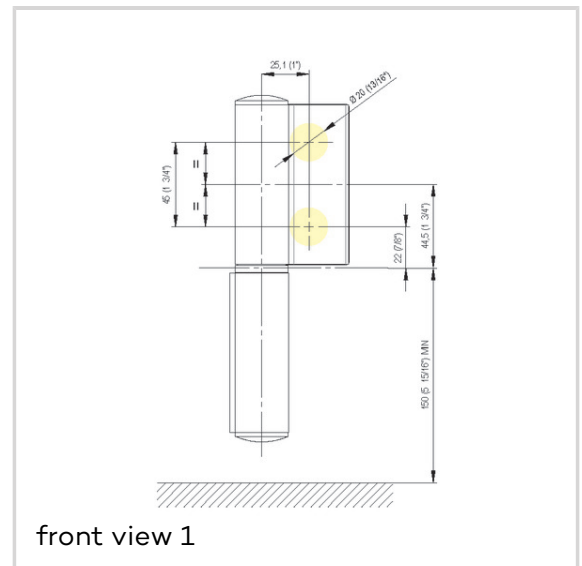
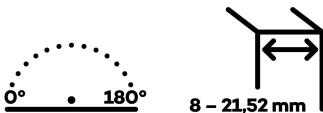
EV 835E10 N SOL

for single action (wall-glass) residential and heavy-duty glass doors



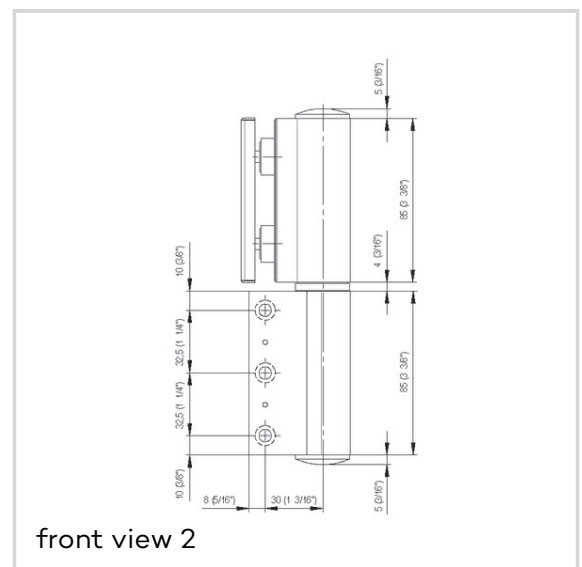
Product features

- free swinging hinge
- for use with wall-glass combinations
- for single action doors
- to be matched with EV 835E10 N - EV 835E11 N
- installed on doors with a profil on a stop
- rebate depth from 30 to 50 mm



Technical data

Property	Value
Load capacity	100,0 kg
Rebate depth	30,0 - 50,0 mm
Opening angle	180°
Glass thickness	8 - 21,52 mm
Min. door width	800,0 mm
Max. door width	1000,0 mm



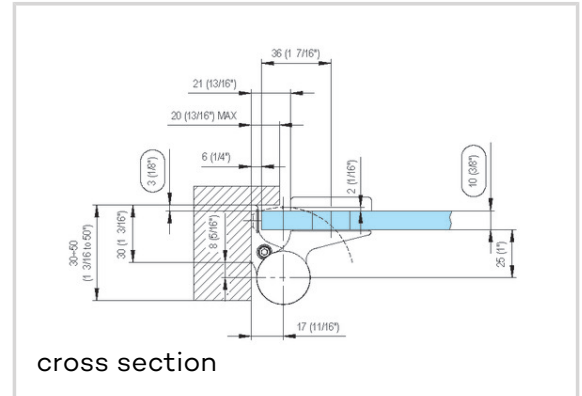
EVO - EV 835E10 N SOL

Combinations

EV 835E10 N
EV 835E11 N

Item versions

Finish	EV1 satin silver natural, anodized 20 micron (CO 002)
VPE	pack of 1
DIN	DIN left hand
Article number	835E10NSOLLO2
EAN	8056895009828
Finish	EV1 satin silver natural, anodized 20 micron (CO 002)
VPE	pack of 1
DIN	DIN right hand
Article number	835E10NSOLR02
EAN	8056895009996
Finish	satin black, anodized (CO 005)
VPE	pack of 1
DIN	DIN left hand
Article number	835E10NSOLLO5
EAN	8056895009835
Finish	satin black, anodized (CO 005)
VPE	pack of 1
DIN	DIN right hand
Article number	835E10NSOLR05
EAN	8056895010008
Finish	similar satin stainless steel, PVD coated (CO 013)
VPE	pack of 1
DIN	DIN left hand
Article number	835E10NSOLL13
EAN	8056895009842



EVO - EV 835E10 N SOL

Finish	similar satin stainless steel, PVD coated (CO 013)
VPE	pack of 1
DIN	DIN right hand
Article number	835E10NSOLR13
EAN	8056895010015
Finish	polished chromed (CO 014)
VPE	pack of 1
DIN	DIN left hand
Article number	835E10NSOLL14
EAN	8056895009859
Finish	polished chromed (CO 014)
VPE	pack of 1
DIN	DIN right hand
Article number	835E10NSOLR14
EAN	8056895010022
Finish	matt gray, liquid electrostatic coated (CO 015)
VPE	pack of 1
DIN	DIN left hand
Article number	835E10NSOLL15
EAN	8056895009866
Finish	matt gray, liquid electrostatic coated (CO 015)
VPE	pack of 1
DIN	DIN right hand
Article number	835E10NSOLR15
EAN	8056895010039
Finish	similar polished gold, PVD coated (CO 016)
VPE	pack of 1
DIN	DIN left hand
Article number	835E10NSOLL16
EAN	8056895009873
Finish	similar polished gold,

EVO - EV 835E10 N SOL

VPE	PVD coated (CO 016)
DIN	pack of 1
Article number	DIN right hand
EAN	835E10NSOLR16
	8056895010053
Finish	similar matt gold, coated (CO 017)
VPE	pack of 1
DIN	DIN left hand
Article number	835E10NSOLL17
EAN	8056895009880
Finish	similar matt gold, coated (CO 017)
VPE	pack of 1
DIN	DIN right hand
Article number	835E10NSOLR17
EAN	8056895010060
Finish	RAL 9005 jet black matt, liquid electrostatic coated (CO 062)
VPE	pack of 1
DIN	DIN left hand
Article number	835E10NSOLL62
EAN	8056895009927
Finish	RAL 9005 jet black matt, liquid electrostatic coated (CO 062)
VPE	pack of 1
DIN	DIN right hand
Article number	835E10NSOLR62
EAN	8056895010107
Finish	RAL 9010 pure white matt, liquid electrostatic coated (CO 088)
VPE	pack of 1
DIN	DIN left hand
Article number	835E10NSOLL88
EAN	8056895009958

EVO - EV 835E10 N SOL

Finish	RAL 9010 pure white matt, liquid electrostatic coated (CO 088)
VPE	pack of 1
DIN	DIN right hand
Article number	835E10NSOLR88
EAN	8056895010138
Finish	RAL 9016 traffic white matt, liquid electrostatic coated (CO 095)
VPE	pack of 1
DIN	DIN left hand
Article number	835E10NSOLL95
EAN	8056895009972
Finish	RAL 9016 traffic white matt, liquid electrostatic coated (CO 095)
VPE	pack of 1
DIN	DIN right hand
Article number	835E10NSOLR95
EAN	8056895010152