

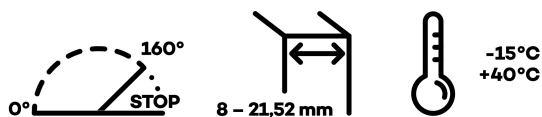
EV 835E11 N

for single action (wall-glass) heavy-duty and outer glass doors



Product features

- hydraulic hinge
- for use with wall-glass combinations
- for single action outer doors that are protected from severe weather conditions
- with closing speed adjustment
- with constant braking control
- door opens up to 180°
- stop at + 180°
- automatic closing from + 160°
- installed on doors with a profil on a stop
- rebate depth from 30 to 50 mm



Technical data

Property	Value
Load capacity	120,0 kg
Rebate depth	30,0 - 50,0 mm
Opening angle	180°

Quality marks



TÜV certification

Classification code

3	8	3/6 ¹	0	1	4
---	---	------------------	---	---	---

¹ The front digit indicates the torques achieved and the efficiency, the rear digit indicates the maximum door weight in accordance with EN 1154:2006. All other technical characteristics are specified in the technical data sheets.

EVO - EV 835E11 N

Hold open	+ 180°
Automatic closing	+ 160°
Glass thickness	8 - 21,52 mm
Temperature resistance	- 15,0°C to + 40,0°C
Min. door width	800,0 mm
Max. door width	1200,0 mm

Notes

The hinge has a loading and therefore a closing stop is necessary.

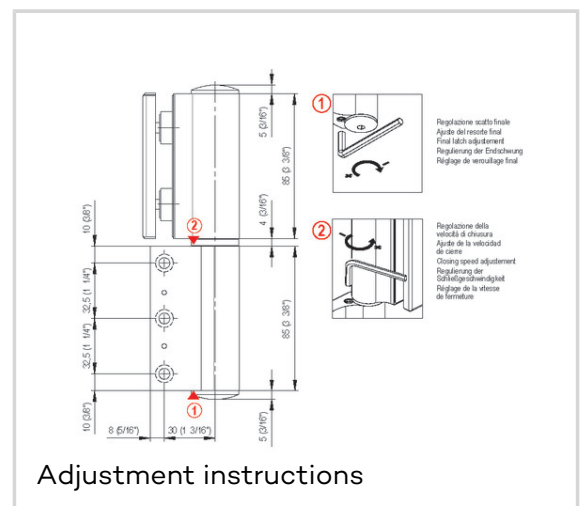
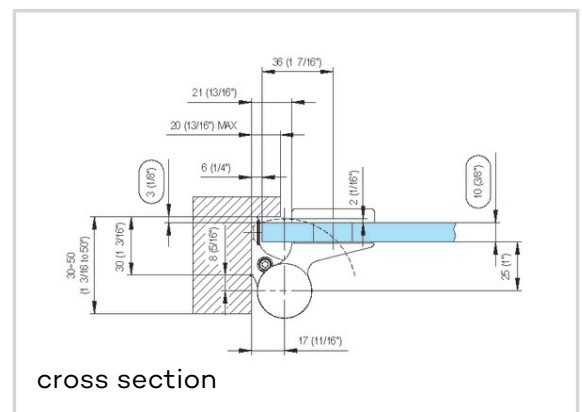
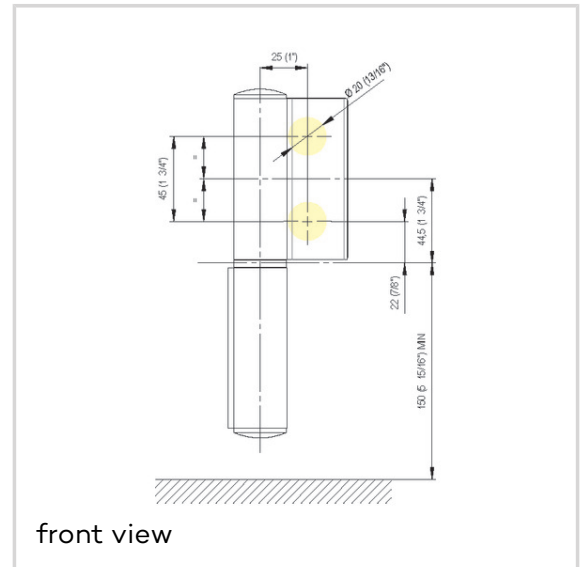
For installations in particular environments or climate (eg. wet, acid, saline) consult sales office first.

Combinations

EV 835E10 N SOL

Item versions

Finish	EV1 satin silver natural, anodized 20 micron (CO 002)
VPE	pack of 1
DIN	DIN left hand
Article number	835E11NL02
EAN	8056895010206
Finish	EV1 satin silver natural, anodized 20 micron (CO 002)
VPE	pack of 1
DIN	DIN right hand
Article number	835E11NR02
EAN	8056895010329
Finish	satin black, anodized (CO 005)
VPE	pack of 1



EVO - EV 835E11 N

DIN	DIN left hand
Article number	835E11NL05
EAN	8056895010213
Finish	satin black, anodized (CO 005)
VPE	pack of 1
DIN	DIN right hand
Article number	835E11NR05
EAN	8056895010336
Finish	similar satin stainless steel, PVD coated (CO 013)
VPE	pack of 1
DIN	DIN left hand
Article number	835E11NL13
EAN	8056895010220
Finish	similar satin stainless steel, PVD coated (CO 013)
VPE	pack of 1
DIN	DIN right hand
Article number	835E11NR13
EAN	8056895010343
Finish	polished chromed (CO 014)
VPE	pack of 1
DIN	DIN left hand
Article number	835E11NL14
EAN	8056895010237
Finish	polished chromed (CO 014)
VPE	pack of 1
DIN	DIN right hand
Article number	835E11NR14
EAN	8056895010350
Finish	matt gray, liquid electrostatic coated (CO 015)
VPE	pack of 1
DIN	DIN left hand

EVO - EV 835E11 N

Article number	835E11NL15
EAN	8056895010244
Finish	matt gray, liquid electrostatic coated (CO 015)
VPE	pack of 1
DIN	DIN right hand
Article number	835E11NR15
EAN	8056895010367
Finish	similar polished gold, PVD coated (CO 016)
VPE	pack of 1
DIN	DIN left hand
Article number	835E11NL16
EAN	8056895010268
Finish	similar polished gold, PVD coated (CO 016)
VPE	pack of 1
DIN	DIN right hand
Article number	835E11NR16
EAN	8056895010381
Finish	similar matt gold, coated (CO 017)
VPE	pack of 1
DIN	DIN left hand
Article number	835E11NL17
EAN	8056895010275
Finish	similar matt gold, coated (CO 017)
VPE	pack of 1
DIN	DIN right hand
Article number	835E11NR17
EAN	8056895010398
Finish	RAL 9005 jet black matt, liquid electrostatic coated (CO 062)
VPE	pack of 1
DIN	DIN left hand
Article number	835E11NL62

EVO - EV 835E11 N

EAN	8056895010299
Finish	RAL 9005 jet black matt, liquid electrostatic coated (CO 062)
VPE	pack of 1
DIN	DIN right hand
Article number	835E11NR62
EAN	8056895010411
Finish	RAL 9010 pure white matt, liquid electrostatic coated (CO 088)
VPE	pack of 1
DIN	DIN left hand
Article number	835E11NL88
Finish	RAL 9010 pure white matt, liquid electrostatic coated (CO 088)
VPE	pack of 1
DIN	DIN right hand
Article number	835E11NR88
Finish	RAL 9016 traffic white matt, liquid electrostatic coated (CO 095)
VPE	pack of 1
DIN	DIN left hand
Article number	835E11NL95
Finish	RAL 9016 traffic white matt, liquid electrostatic coated (CO 095)
VPE	pack of 1
DIN	DIN right hand
Article number	835E11NR95