

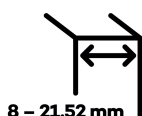
EV 835E50

for single action (glass-glass) residential, heavy-duty and outer glass doors



Product features

- hydraulic hinge
- for use with glass-glass combinations
- for single action outer doors that are protected from severe weather conditions
- with closing speed adjustment
- with constant braking control
- door opens up to 180°
- stop at + 90°
- automatic closing from + 80°
- installed on doors with a profil on a stop



Technical data

Property	Value
Load capacity	100,0 kg
Opening angle	180°
Hold open	+ 90°
Automatic closing	+ 80°

Quality marks



TÜV certification

Classification code

3	8	3/6 ¹	0	1	4
---	---	------------------	---	---	---

¹ The front digit indicates the torques achieved and the efficiency, the rear digit indicates the maximum door weight in accordance with EN 1154:2006. All other technical characteristics are specified in the technical data sheets.

EVO - EV 835E50

Glass thickness	8 - 21,52 mm
Temperature resistance	- 15,0°C to + 40,0°C
Min. door width	800,0 mm
Max. door width	1000,0 mm

Notes

The hinge has a loading and therefore a closing stop is necessary.

For installations in particular environments or climate (eg. wet, acid, saline) consult sales office first.

Combinations

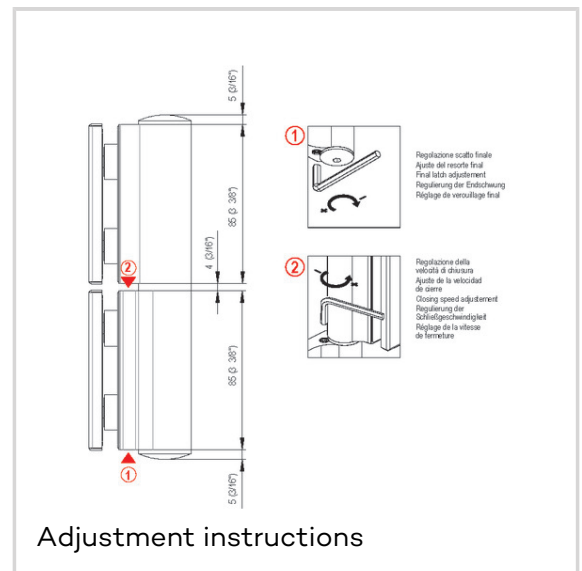
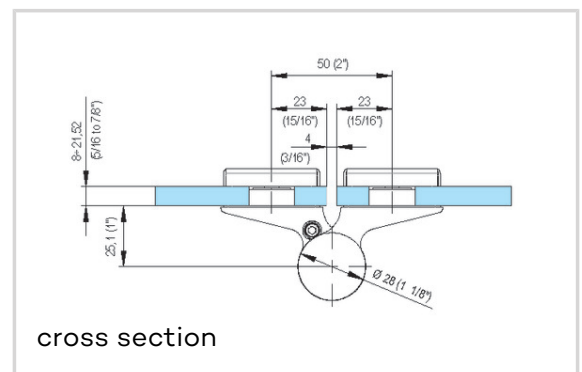
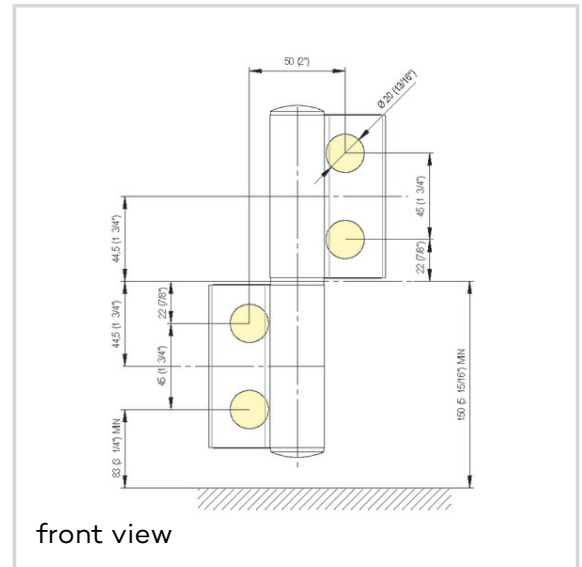
EV 835E50 SOL

Item versions

Finish	EV1 satin silver natural, anodized 20 micron (CO 002)
VPE	pack of 1
DIN	DIN left hand
Article number	835E50L02
EAN	8056895010831

Finish	EV1 satin silver natural, anodized 20 micron (CO 002)
VPE	pack of 1
DIN	DIN right hand
Article number	835E50R02
EAN	8056895010961

Finish	satin black, anodized (CO 005)
VPE	pack of 1
DIN	DIN left hand
Article number	835E50L05



EVO - EV 835E50

EAN	8056895010848
Finish	satin black, anodized (CO 005)
VPE	pack of 1
DIN	DIN right hand
Article number	835E50R05
EAN	8056895010978
Finish	similar satin stainless steel, PVD coated (CO 013)
VPE	pack of 1
DIN	DIN right hand
Article number	835E50R13
EAN	8056895010985
Finish	similar satin stainless steel, PVD coated (CO 013)
VPE	pack of 1
DIN	DIN left hand
Article number	835E50L13
EAN	8056895010855
Finish	polished chromed (CO 014)
VPE	pack of 1
DIN	DIN left hand
Article number	835E50L14
Finish	polished chromed (CO 014)
VPE	pack of 1
DIN	DIN right hand
Article number	835E50R14
Finish	matt gray, liquid electrostatic coated (CO 015)
VPE	pack of 1
DIN	DIN left hand
Article number	835E50L15
Finish	matt gray, liquid electrostatic coated (CO 015)

EVO - EV 835E50

VPE	pack of 1
DIN	DIN right hand
Article number	835E50R15
EAN	8056895011005
Finish	similar polished gold, PVD coated (CO 016)
VPE	pack of 1
DIN	DIN left hand
Article number	835E50L16
Finish	similar polished gold, PVD coated (CO 016)
VPE	pack of 1
DIN	DIN right hand
Article number	835E50R16
Finish	similar matt gold, coated (CO 017)
VPE	pack of 1
DIN	DIN left hand
Article number	835E50L17
EAN	8056895010909
Finish	similar matt gold, coated (CO 017)
VPE	pack of 1
DIN	DIN right hand
Article number	835E50R17
EAN	8056895011036
Finish	RAL 9005 jet black matt, liquid electrostatic coated (CO 062)
VPE	pack of 1
DIN	DIN left hand
Article number	835E50L62
EAN	8056895010923
Finish	RAL 9005 jet black matt, liquid electrostatic coated (CO 062)
VPE	pack of 1
DIN	DIN right hand
Article number	835E50R62

EVO - EV 835E50

EAN	8056895011067
Finish	RAL 9010 pure white matt, liquid electrostatic coated (CO 088)
VPE	pack of 1
DIN	DIN left hand
Article number	835E50L88
Finish	RAL 9010 pure white matt, liquid electrostatic coated (CO 088)
VPE	pack of 1
DIN	DIN right hand
Article number	835E50R88
Finish	RAL 9016 traffic white matt, liquid electrostatic coated (CO 095)
VPE	pack of 1
DIN	DIN left hand
Article number	835E50L95
Finish	RAL 9016 traffic white matt, liquid electrostatic coated (CO 095)
VPE	pack of 1
DIN	DIN right hand
Article number	835E50R95