

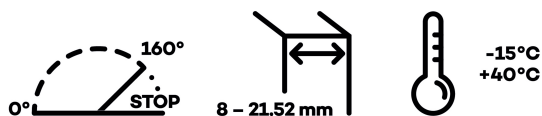
EV 835E51

for single action (glass-glass) residential, heavy-duty and outer glass doors



Product features

- hydraulic hinge
- for use with glass-glass combinations
- for single action outer doors that are protected from severe weather conditions
- with closing speed adjustment
- with constant braking control
- door opens up to 180°
- stop at + 180°
- automatic closing from + 160°
- installed on doors with a profil on a stop



Technical data

Property	Value
Load capacity	100,0 kg
Opening angle	180°
Hold open	+ 180°
Automatic closing	+ 160°

Quality marks



TÜV certification

Classification code

3	8	3/6 ¹	0	1	4
---	---	------------------	---	---	---

¹ The front digit indicates the torques achieved and the efficiency, the rear digit indicates the maximum door weight in accordance with EN 1154:2006. All other technical characteristics are specified in the technical data sheets.

EVO - EV 835E51

Glass thickness	8 - 21,52 mm
Temperature resistance	- 15,0°C to + 40,0°C
Min. door width	800,0 mm
Max. door width	1000,0 mm

Notes

The hinge has a loading and therefore a closing stop is necessary.

For installations in particular environments or climate (eg. wet, acid, saline) consult sales office first.

Combinations

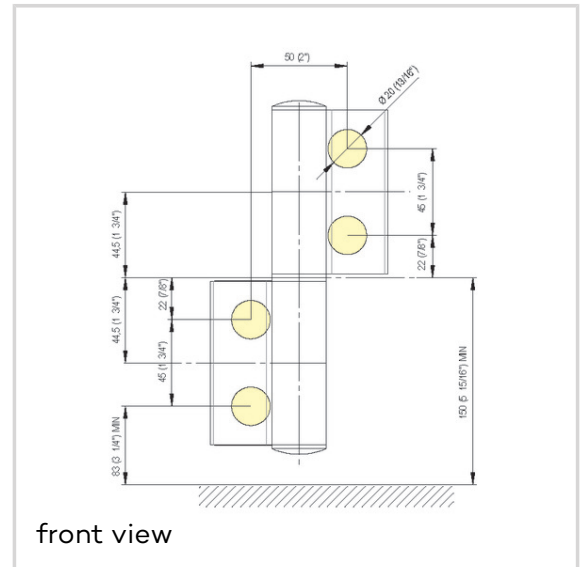
EV 835E50 SOL

Item versions

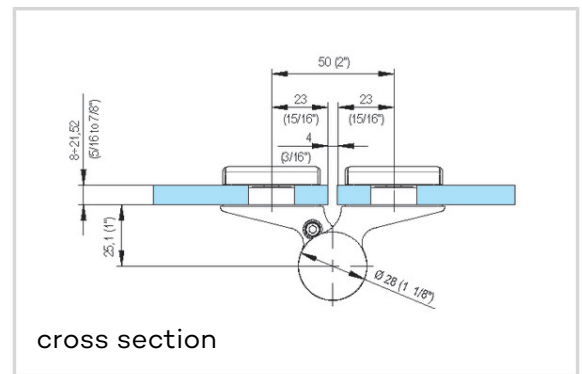
Finish	EV1 satin silver natural, anodized 20 micron (CO 002)
VPE	pack of 1
DIN	DIN left hand
Article number	835E51L02
EAN	8056895011326

Finish	EV1 satin silver natural, anodized 20 micron (CO 002)
VPE	pack of 1
DIN	DIN right hand
Article number	835E51R02
EAN	8056895011425

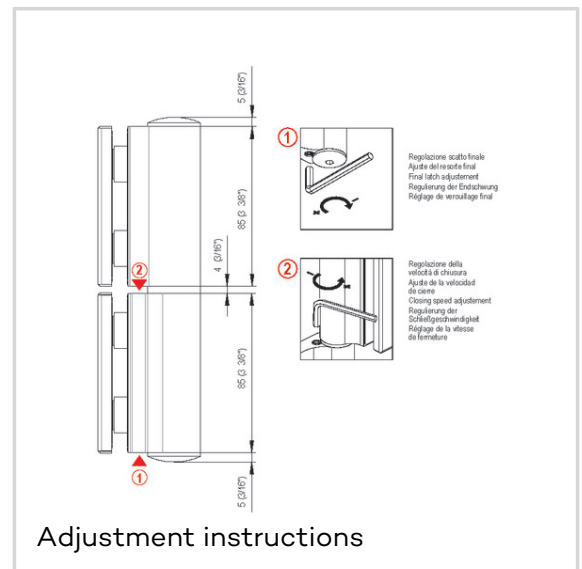
Finish	satin black, anodized (CO 005)
VPE	pack of 1
DIN	DIN left hand
Article number	835E51L05



front view



cross section



Adjustment instructions

EVO - EV 835E51

EAN	8056895011333
Finish	satin black, anodized (CO 005)
VPE	pack of 1
DIN	DIN right hand
Article number	835E51R05
EAN	8056895011432
Finish	similar satin stainless steel, PVD coated (CO 013)
VPE	pack of 1
DIN	DIN left hand
Article number	835E51L13
EAN	8056895011340
Finish	similar satin stainless steel, PVD coated (CO 013)
VPE	pack of 1
DIN	DIN right hand
Article number	835E51R13
EAN	8056895011449
Finish	polished chromed (CO 014)
VPE	pack of 1
DIN	DIN left hand
Article number	835E51L14
EAN	8056895011357
Finish	polished chromed (CO 014)
VPE	pack of 1
DIN	DIN right hand
Article number	835E51R14
EAN	8056895011456
Finish	matt gray, liquid electrostatic coated (CO 015)
VPE	pack of 1
DIN	DIN left hand
Article number	835E51L15
Finish	matt gray, liquid

EVO - EV 835E51

VPE	electrostatic coated (CO 015)
DIN	pack of 1 DIN right hand
Article number	835E51R15
Finish	similar polished gold, PVD coated (CO 016)
VPE	pack of 1
DIN	DIN left hand
Article number	835E51L16
Finish	similar polished gold, PVD coated (CO 016)
VPE	pack of 1
DIN	DIN right hand
Article number	835E51R16
Finish	similar matt gold, coated (CO 017)
VPE	pack of 1
DIN	DIN left hand
Article number	835E51L17
Finish	similar matt gold, coated (CO 017)
VPE	pack of 1
DIN	DIN right hand
Article number	835E51R17
Finish	RAL 9005 jet black matt, liquid electrostatic coated (CO 062)
VPE	pack of 1
DIN	DIN left hand
Article number	835E51L62
EAN	8056895011418
Finish	RAL 9005 jet black matt, liquid electrostatic coated (CO 062)
VPE	pack of 1
DIN	DIN right hand
Article number	835E51R62
EAN	8056895011517

EVO - EV 835E51

Finish	RAL 9010 pure white matt, liquid electrostatic coated (CO 088)
VPE	pack of 1
DIN	DIN left hand
Article number	835E51L88
Finish	RAL 9010 pure white matt, liquid electrostatic coated (CO 088)
VPE	pack of 1
DIN	DIN right hand
Article number	835E51R88
Finish	RAL 9016 traffic white matt, liquid electrostatic coated (CO 095)
VPE	pack of 1
DIN	DIN left hand
Article number	835E51L95
Finish	RAL 9016 traffic white matt, liquid electrostatic coated (CO 095)
VPE	pack of 1
DIN	DIN right hand
Article number	835E51R95